

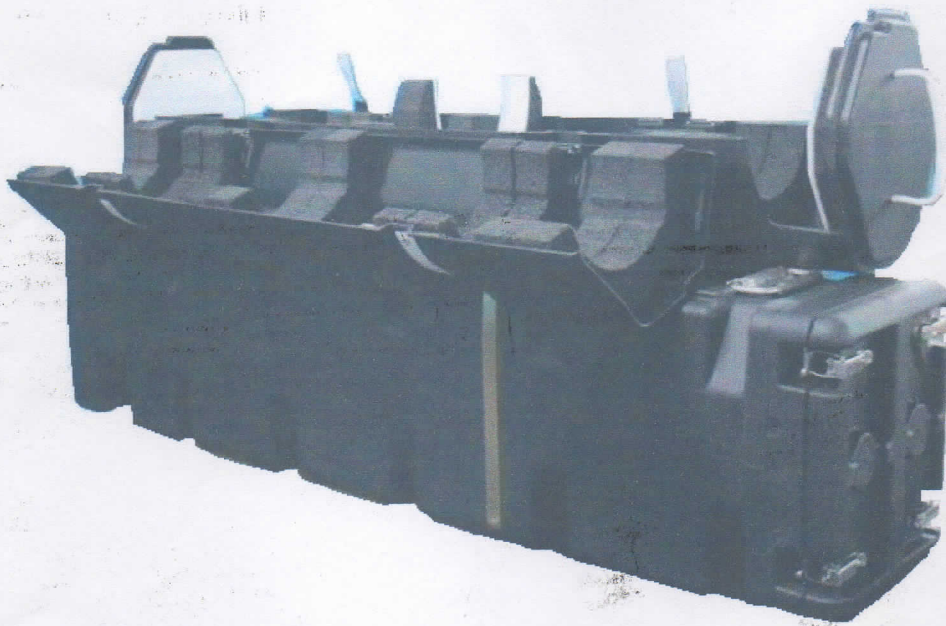


ARMOR
METAL GROUP
MADISON, INC.

1200 CLIFTY DRIVE, MADISON, IN 47250

Volume 2

Technical Volume



Armor Model# M2214 TOW 2B Missile Container

Anticipated Life Span, CIDS- [REDACTED]

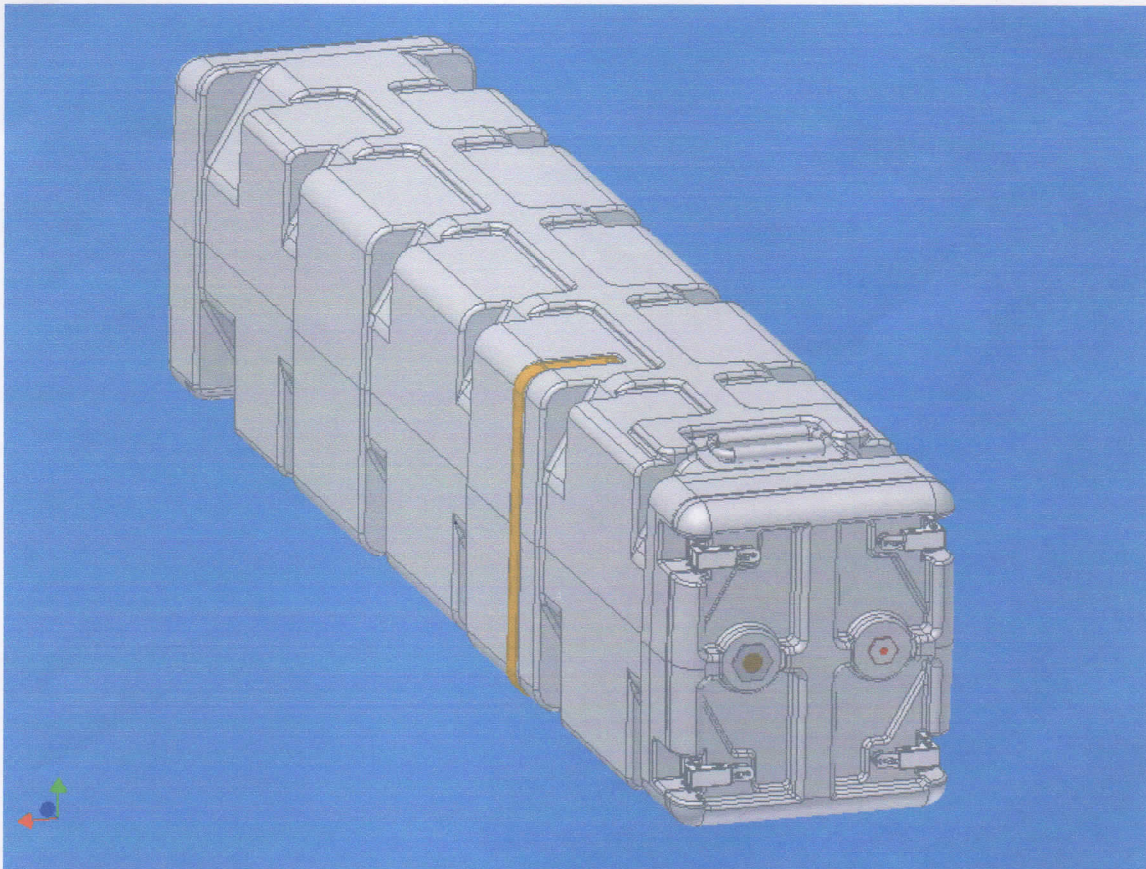
In order to meet this requirement for the container housing and carriage, Armor will present data of similar containers using the same material that has a proven field history as well as technical data from the resin supplier to MOD. The hardware on this container is currently used within the DoD on other containers and has a proven life span. Suppliers include AGM Container Controls and others. Polyethylene foam cushions provided by Dow through various fabricators have long been used by the military for shock and vibration isolation.

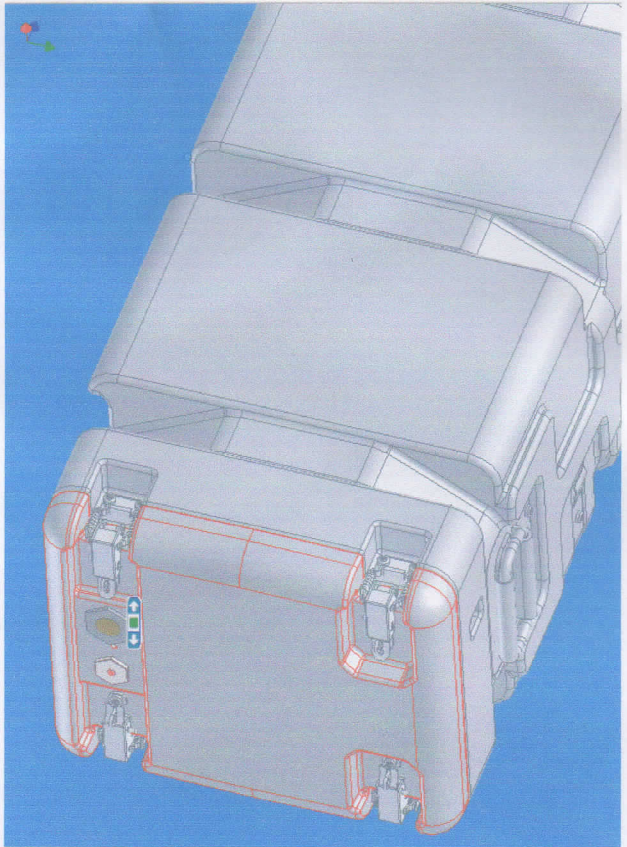
Physical Characteristics, CIDS- [REDACTED]

This section details the ability of Armor's design to meet the requirements of **Weight and Cube, Size, Weight, Weight (Unit Load), Fit and Compatibility, Contents, Unit Load, Encased Missile Support, Design Closure, Stacking Provisions, Lifting Provision, Security Provision, Humidity Indicator, pressure equalizing Valve, Seal, Desiccant Holder, and Interrupter.**

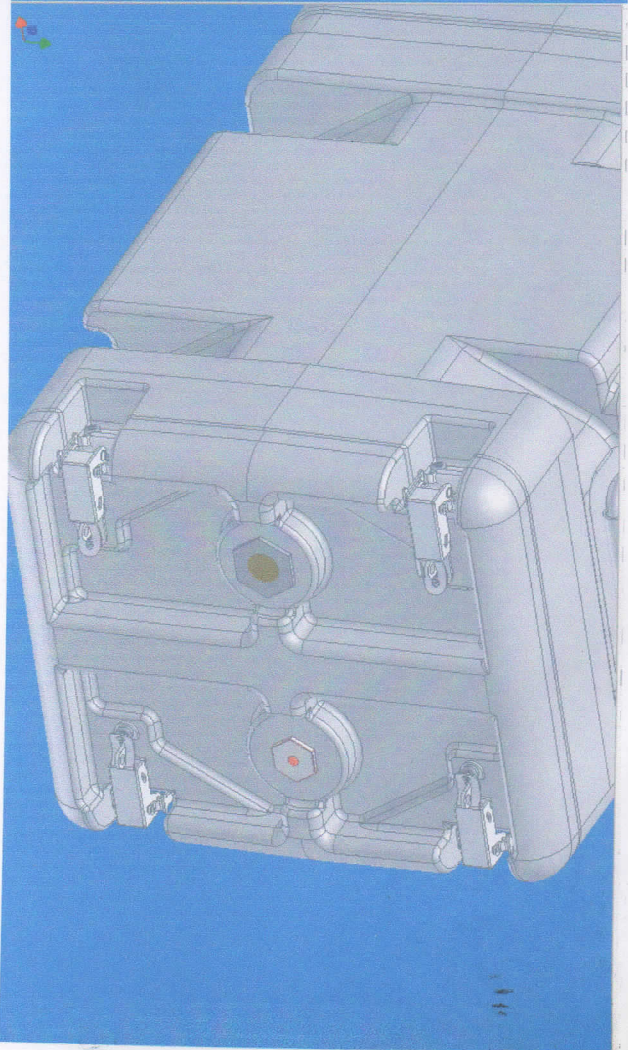
Requirement Title	Requirement	Armor Design
Weight, empty	47 lbs	45 lbs
Weight, loaded	112 lbs	110 lbs
Weight, unit load	1450 lbs	1308 lbs
Size	11 X 13.25 X 57 inches	11 X 13.25 X 57 inches

The container will consist of the Housing, End cap w/ teather cable, HERO/ESD bags, Carriage, Cushioning, Humidity Indicator, Pressure Relief Valve, Ground strap, Interrupter bar w/ straps, Handles & Latches.. These items can be identified in the illustration below.

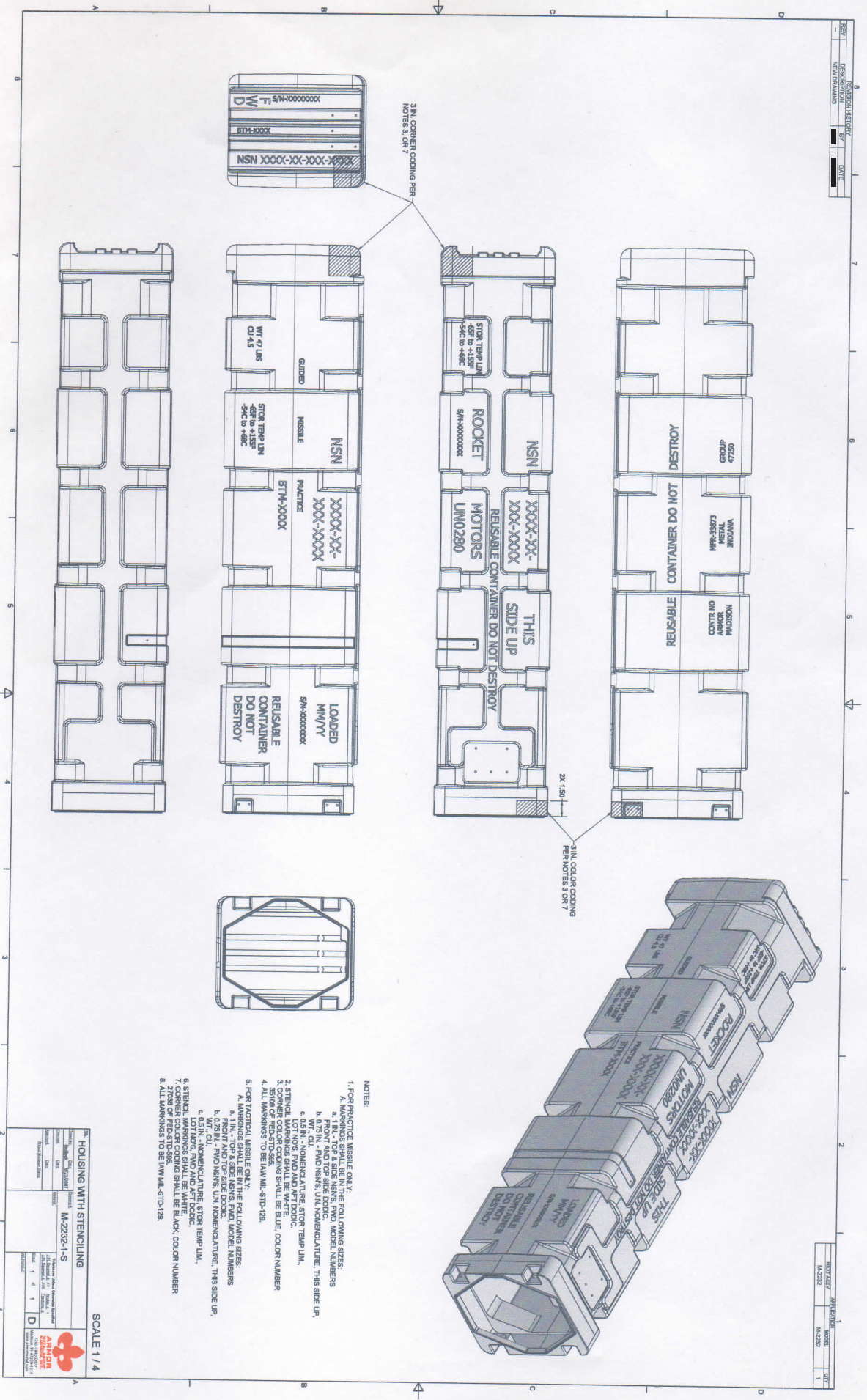




Previous Version



New Design



3/16" CORNER CODING PER NOTES 3 OR 7

3/16" COLOR CODING PER NOTES 3 OR 7

NOTE:

1. FOR PRACTICE MISSILE ONLY.
 - A. MARKINGS SHALL BE IN THE FOLLOWING SIZES:
 - a. 1/16" - TOP 2 SIDE NSNs, FND, MODEL NUMBERS
 - b. 0/25 IN. - FND NSNs, UN NOMENCLATURE, THIS SIDE UP.
 - c. 1/16" - LOT NOM.
 - B. LOT NOM. NOMENCLATURE, STOR TEMP LIM.
 - C. W/T, COL.
2. STENCIL MARKINGS SHALL BE WHITE.
 - a. STOR TEMP LIM. SHALL BE BLUE. COLOR NUMBER
 - b. STOR TEMP LIM. SHALL BE BLUE. COLOR NUMBER
 - c. ALL MARKINGS TO BE IN IN MIL-STD-128.
3. FOR TACTICAL MISSILE ONLY.
 - A. MARKINGS SHALL BE IN THE FOLLOWING SIZES:
 - a. 0/25 IN. - FND NSNs, UN NOMENCLATURE, THIS SIDE UP.
 - b. 0/25 IN. - FND NSNs, UN NOMENCLATURE, THIS SIDE UP.
 - c. 0/25 IN. - NOMENCLATURE, STOR TEMP LIM.
 - d. 1/16" - LOT NOM.
 - B. FRONT AND TOP SIDE DODIC.
 - C. FRONT AND TOP SIDE DODIC.
4. STENCIL MARKINGS SHALL BE WHITE.
 - a. STOR TEMP LIM. SHALL BE BLUE. COLOR NUMBER
 - b. STOR TEMP LIM. SHALL BE BLUE. COLOR NUMBER
 - c. ALL MARKINGS TO BE IN IN MIL-STD-128.
5. STENCIL MARKINGS SHALL BE WHITE.
 - a. STOR TEMP LIM. SHALL BE BLUE. COLOR NUMBER
 - b. STOR TEMP LIM. SHALL BE BLUE. COLOR NUMBER
 - c. ALL MARKINGS TO BE IN IN MIL-STD-128.
6. STENCIL MARKINGS SHALL BE WHITE.
 - a. STOR TEMP LIM. SHALL BE BLUE. COLOR NUMBER
 - b. STOR TEMP LIM. SHALL BE BLUE. COLOR NUMBER
 - c. ALL MARKINGS TO BE IN IN MIL-STD-128.
7. CORNER COLOR CODING SHALL BE BLACK. COLOR NUMBER
8. ALL MARKINGS TO BE IN IN MIL-STD-128.

HOUSING WITH STENCILING

SCALE 1/4

DATE	BY	CHKD	APP'D

AMERICA